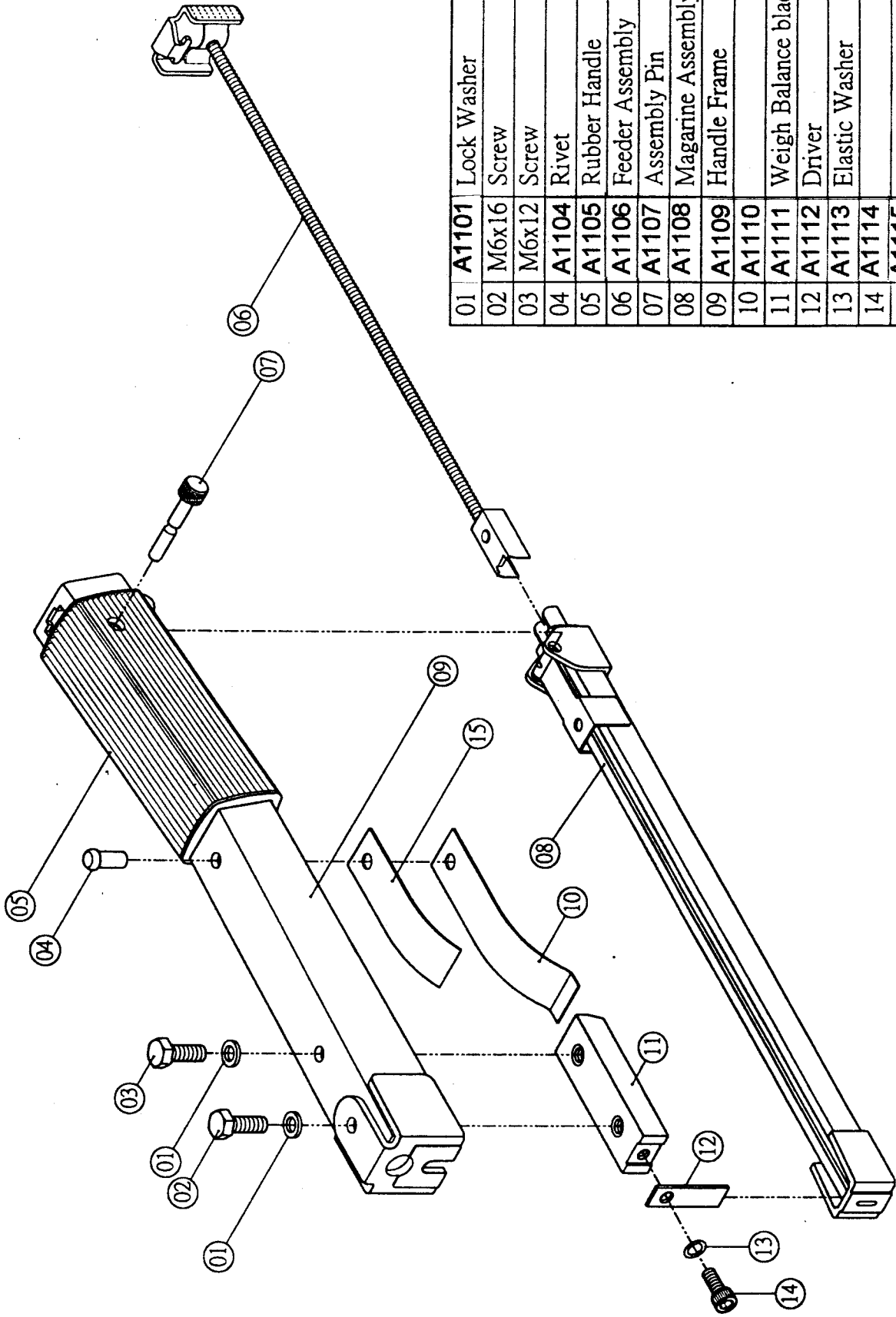


SUPCO A-11



01	A1101	Lock Washer
02	M6x16	Screw
03	M6x12	Screw
04	A1104	Rivet
05	A1105	Rubber Handle
06	A1106	Feeder Assembly
07	A1107	Assembly Pin
08	A1108	Magazine Assembly
09	A1109	Handle Frame
10	A1110	
11	A1111	Weigh Balance black
12	A1112	Driver
13	A1113	Elastic Washer
14	A1114	
15	A1115	Complement Spring