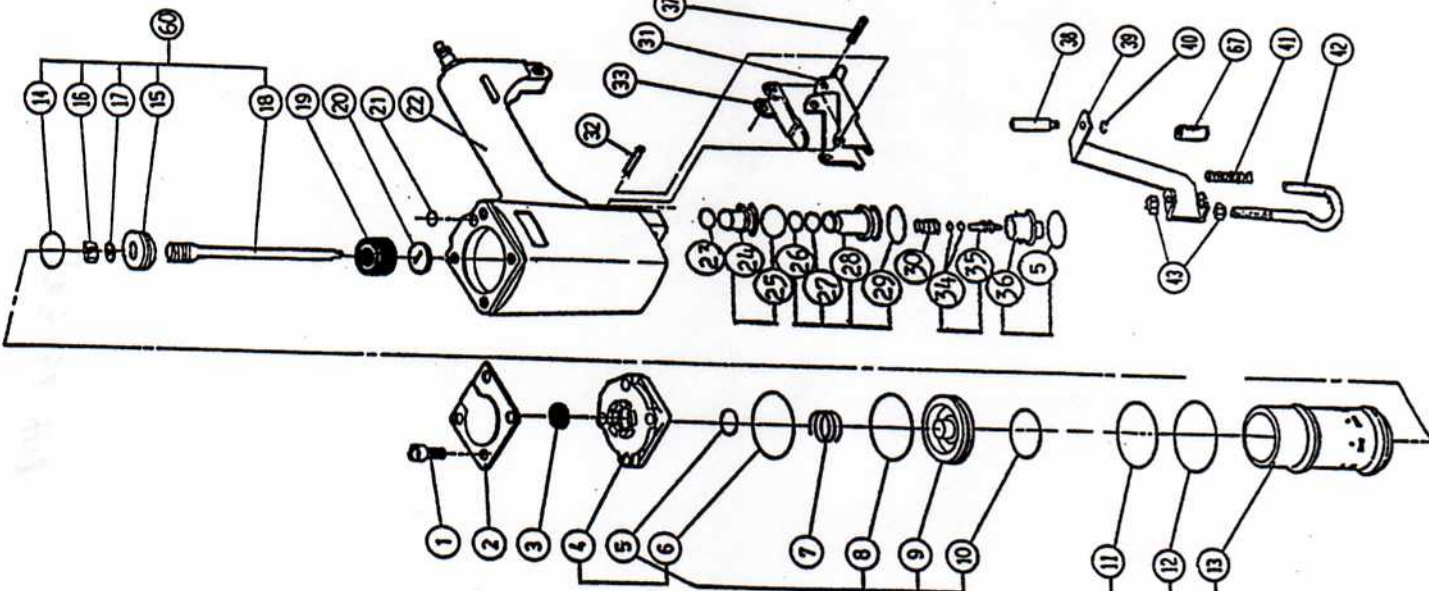


# SUPCO-DA50



01	M6*25	HD. SCREW	25	OR-21	O-RING	49	FC-17	FEEDER COVER
02	EC-02	EXHAUST COVER	26	OR-22	O-RING	50	M5	NUT
03	ES-02	EXHAUST SEAL	27	OR-23	O-RING	51	M5*12	HD. SCREW
04	CA-02	BODY CAP	28	VS-05	PILOT VALVE	52	WS-01	WASHER
05	OR-14	POPPET O-RING	29	OR-24	O-RING	53	HR-21	HANGER
06	OR-15	O-RING	30	SP-02	SPRING	54	SM-22	E. RING
07	SP-08	SPRING	31	TC-05	TRIGGER	55	FP-14	FRONT PLATE <D>
08	OR-16	POPPET O-RING	32	SM-11	TRIGGER PIN	56	SM-23	E. RING
09	PV-03	POPPET VALVE	33	TC-06	SECONDARY TRIGGER	57	M4*10	HD. SCREW
10	OR-17	PISTON STOP O-RING	34	OR-25	O-RING	58	M5*10	HD. SCREW
11	OR-18	CYLINDER O-RING	35	VS-06	TRIGGER STEM	59	M5*12	HD. SCREW
12	OR-26	CYLINDER O-RING	36	VS-07	TRIGGER VALVE HOUSING	60	PS-33	PISTON & DRIVER ASSEMBLY
13	CY-05	CYLINDER	37	SM-10	SPRING WASHER	61	SM-06	FEEDER PIN
14	OR-19	PISTON O-RING	38	SM-21	CONTACT PIN	62	FD-17	FEEDER UNIT
15	PS-04	PISTON	39	ST-10	SAFETY CONTACT	63	ED-18	FEEDER
16	M8	NUT	40	E-2.5	E. RING	64	SP-24	PRING
17	WS-20	WASHER	41	SP-23	SPRING	65	ES-10	MAILER GUIDE
18	DB-14	DRIVER BLADE	42	ST-11	HEAD SAFETY	66	MZ-23	MAGAZINE
19	BP-03	BUMPER	43	M4	NUT	67	WS-21	SPACER
20	SW-03	SEAL WASHER	44	DL-02	LATCH	68		
21	OR-20	PIPE O-RING	45	FP-13	FRONT PLATE <D>	69		
22	BD-19	BODY	46	M5*25	HD. SCREW	70		
23	OR-01	VALVE HOUSING O-RING	47	P-19	WEAR PLATE	71		
24	VS-04	VALVE HOUSING	48	SP-03	PLATE SPRING	72		