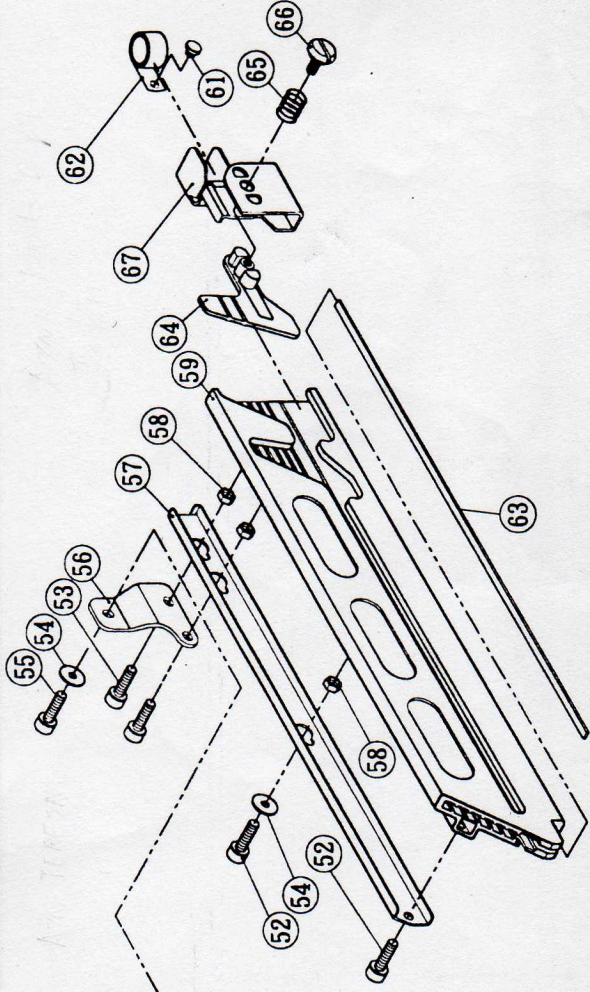


SUPCO SDA-64



01	M6x25 HD. SCREW	24	VS-04 VALVE HOUSING	47	M5x25 HD. SCREW
02	EC-02 EXHAUST COVER	25	OR-21 O-RING	48	P-22 WEAR PLATE
03	ES-02 EXHAUST SEAL	26	OR-22 O-RING	49	SM-22 E. RING
04	CA-02 BODY CAP	27	OR-23 O-RING	50	FP-22 FRONT PLATE
05	OR-14 POPPET O-RING	28	VS-05 PILOT VALVE	51	SM-23 E. RING
06	OR-15 O-RING	29	OR-24 O-RING	52	M5x10 HD. SCREW
07	SP-08 SPRING	30	SP-02 SPRING	53	M5x12 HD. SCREW
08	OR-16 POPPET O-RING	31	TG-05 TRIGGER	54	WS-01 WASHER
09	PV-03 POPPET VALVE	32	SM-11 TRIGGER PIN	55	M5x14 HD. SCREW
10	OR-17 PISTON STOP O-RING	33	TG-06 SECONDARY TRIGGER	56	HR-25 HANGER
11	OR-18 CYLINDER O-RING	34	OR-25 O-RING	57	FC-23 FEEDER COVER
12	OR-26 CYLINDER O-RING	35	VS-06 TRIGGER STEM	58	M5 NUT
13	CY-13 CYLINDER	36	VS-07 TRIGGER VALVE HOUSING	59	MZ-36 MAGAZINE
14	OR-19 PISTON O-RING	37	SM-10 SPRING WASHER	60	PS-41 PISTON & DRIVER ASSEMBLY
15	PS-04 PISTON	38	SM-30 CONTACT PIN	61	SM-29 SPRING RETAINER
16	M8 NUT	39	ST-10 SAFETY CONTACT	62	SP-31 PLATE SPRING
17	WS-20 WASHER	40	E-2.5 E. RING	63	FC-22 STEEL BAR
18	DB-21 DRIVER BLADE	41	WS-21 SPACER	64	FD-27 FEEDER
19	BP-03 BUMPER	42	SP-23 SPRING	65	SP-29 SPRING
20	SW-03 SEAL WASHER	43	ST-11 HEAD SAFETY	66	FM-02 FEEDER SCREW
21	OR-35 PIPE O-RING	44	M4 NUT	67	FD-26 FEEDER UNIT
22	BD-21 BODY	45	DL-02 LATCH	68	
23	OR-01 VALVE HOUSING O-RING	46	FP-13 FRONT PLATE <A>	69	

