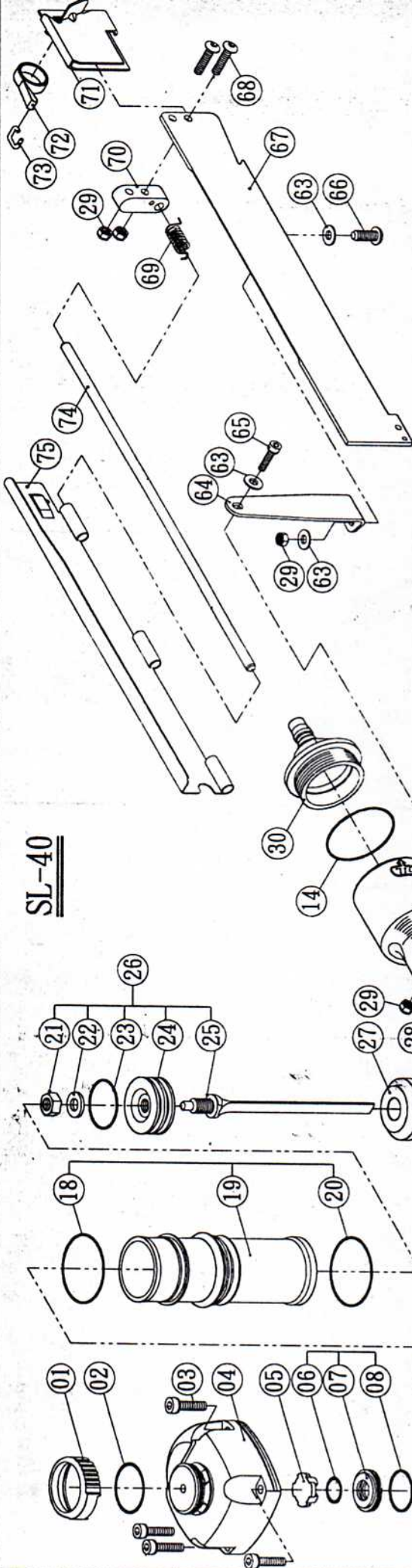


SL-40



01 ES-18 EXHAUST TURNER	25 DB-27 DRIVER BLADE	52 P-28 WEAR PLATE
02 OR-61 O-RING	26 PS-49 PISTON & DRIVER ASSEMBLY	53 M3x8 HD. SCREW
03 M5x25 HD. SCREW	27 BP-09 BUMPER	54 ST-19 CONTACT ARM
04 CA-15A BODY CAP	28 BD-23A BODY	55 SM-36 SINGLE FIRE PI
05 ES-19 EXHAUST	29 M5 NUT	56 SM-11 SPRING PIN
06 OR-01 O-RING	30 CA-12 END CAP	57 SM-37 SPRING PIN
07 CA-11 VALVA GUIDE	31 VS-04 TRIGGER VALVE CAP	58 SM-38 LEVER
08 OR-62 O-RING	32 OR-21 O-RING	59 SP-36 SPRING
09 WS-32 GAKET	33 OR-22 O-RING	60 SM-39 BALL
10 SP-01 SPRING	34 OR-23 O-RING	61 SW-09 WASHER
11 OR-71 POPPET O-RING	35 VS-05 PILOT VALVE	62 SW-10 SEAL WASHER
12 PV-10 POPPET VALVE	36 OR-24 O-RING	63 WS-01 WASHER
13 OR-04 PISTON STOP O-RING	37 SP-02 SPRING	64 HR-28 HANGER
14 OR-55 CYLINDER SEAL O-RING	38 OR-25 O-RING	65 M5x16 HD. SCREW
15 WS-33 RETAINING RING	39 VS-06 TRIGGER STEM	66 BH5x12 BH. SCREW
16 OR-72 O-RING	40 VS-07 TRIGGER VALVE HOUSING	67 MZ-07 MAGAZINE
17 CY-18 LINDER	41 OR-14 O-RING	68 BH5x14 BH. SCREW
18 OR-73 CYLINDER O-RING	42 SP-13 SPRING	69 SP-37 SPRING
19 CY-19 CYLINDER	43 TG-06 SECONDARY TRIGGER	70 FC-29 FIXED SPACER
20 OR-12 CYLINDER O-RING	44 TG-12 TRIGGER	71 FD-11 FEEDER
21 M8 NUT	45 SM-10 SPRING PIN	72 SP-06 PLATE SPRING
22 WS-20 WASHER	46 DL-04 LATCH	73 SP-07 SPRING RETAINER
23 OR-74 PISTON O-RING	47 SM-03 E. RING	74 FC-30 COVER FIXED LEVEL
24 PS-12 PISTON	51 FP-32 FRONT PLATE	75 FC-31 MAGAZINE COVER