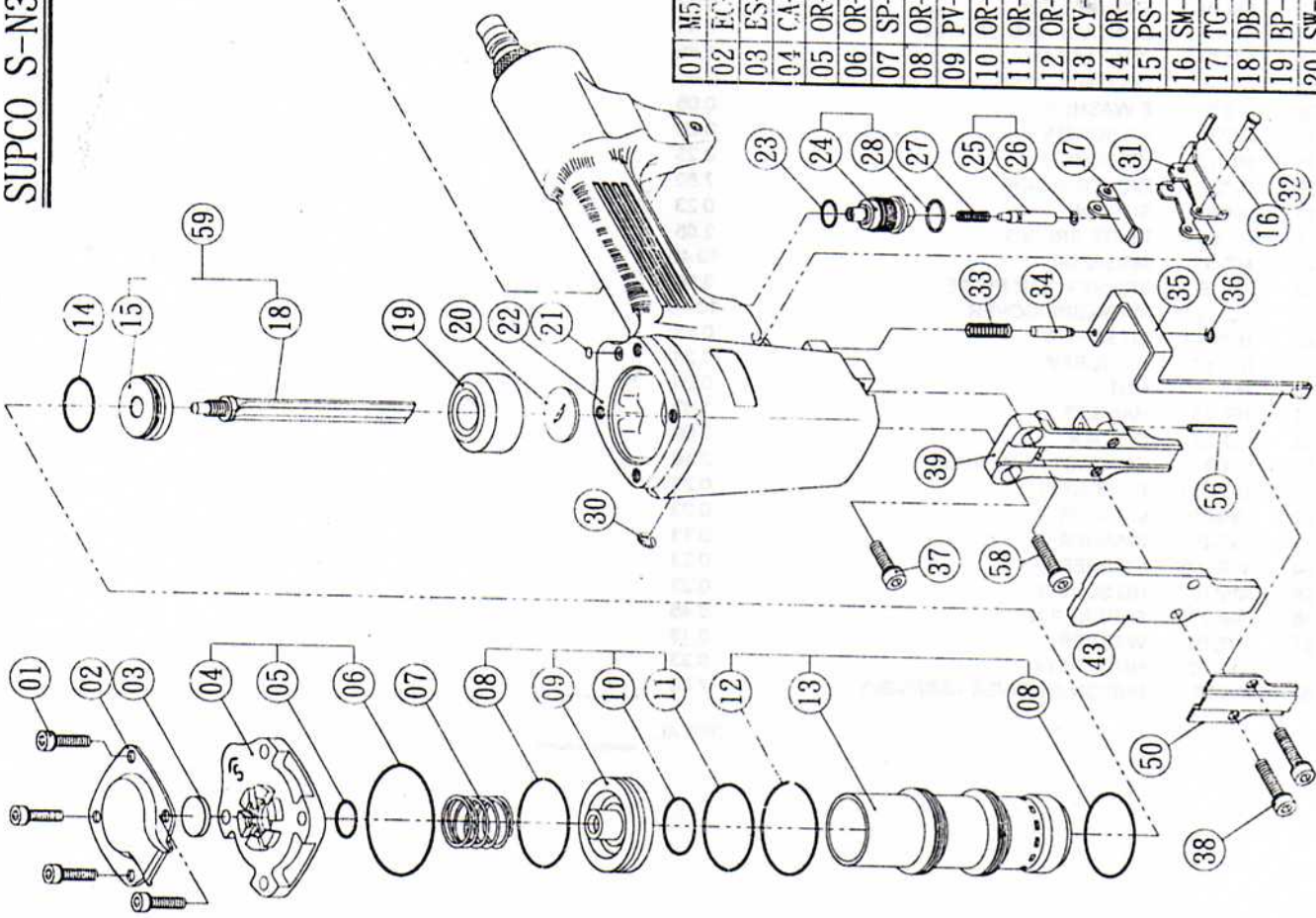
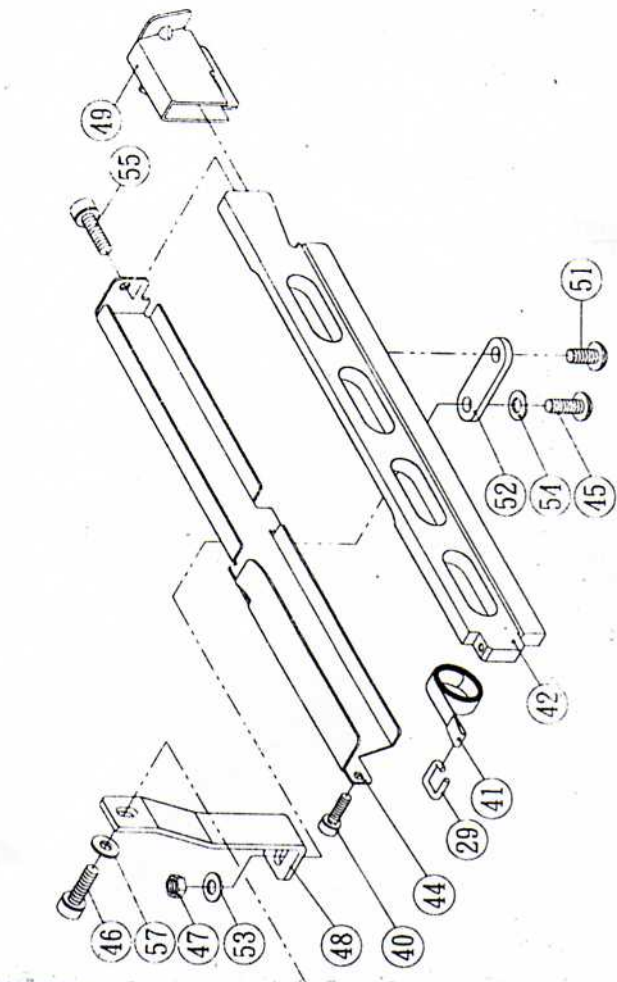


SUPCO S-N38



01	M5x20	HD. SCREW	21	OR-08	PIPE O-RING	41	SP-06	PLATE SPRING
02	EC-01	EXHAUST COVER	22	BD-05	BODY	42	MZ-33	MAGAZINE
03	ES-01	EXHAUST SEAL	23	OR-09	VALVE HOUSING O-RING	43	FP-19	FRONT WEAR PLATE
04	CA-01	BODY CAP	24	VS-01	TRIGGER VALVE HOUSING	44	FC-20	MAGAZINE COVER
05	OR-01	POPPET O-RING	25	VS-03	TRIGGER VALVE STEM	45	BH5X14	BH. SCREW
06	OR-02	CAP O-RING	26	OR-10	VALVE STEM O-RING	46	M5x16	HD. SCREW
07	SP-01	SPRING	27	SP-02	SPRING	47	M5	NUT
08	OR-03	POPPET O-RING	28	OR-11	O-RING	48	HR-23	HANGER
09	PV-01	POPPET VALVE	29	SP-07	SPRING RETAINER	49	FD-22	FEEDER
10	OR-04	PISTON STOP O-RING	30	E-2.5	E. WASHER	50	G-08	CONTACT ARM GUIDE
11	OR-05	CYLINDER SEAL O-RING	31	TG-01	TRIGGER	51	BH5X10	BH. SCREW
12	OR-12	CYLINDER O-RING	32	SM-04	TRIGGER PIN	52	WS-08	WASHER
13	CY-04	CYLINDER	33	SP-12	CONTACT ARM SPRING	53	WS-01	WASHER
14	OR-13	PISTON O-RING	34	SM-09	CONTACT PIN	54	WS-05	WASHER
15	PS-08	PISTON	35	ST-04	CONTACT ARM	55	M5X10	HD. SCREW
16	SM-03	TRIGGER PIN	36	E-2.5	E. WASHER	56	SM-27	SPRING PIN
17	TC-02	SECONDARY TRIGGER	37	M5x16	HD. SCREW	57	WS-01	WASHER
18	DB-30	DRIVE BLADE	38	M5x12	HD. SCREW	58	M5X20	HD. SCREW
19	BP-02	BUMPER	39	P-32	DRIVER GUIDE	59	PS-57	PISTON & DRIVER ASSEMBLY
20	SW-11	SEAL WASHER	40	M4x6	HD. SCREW			