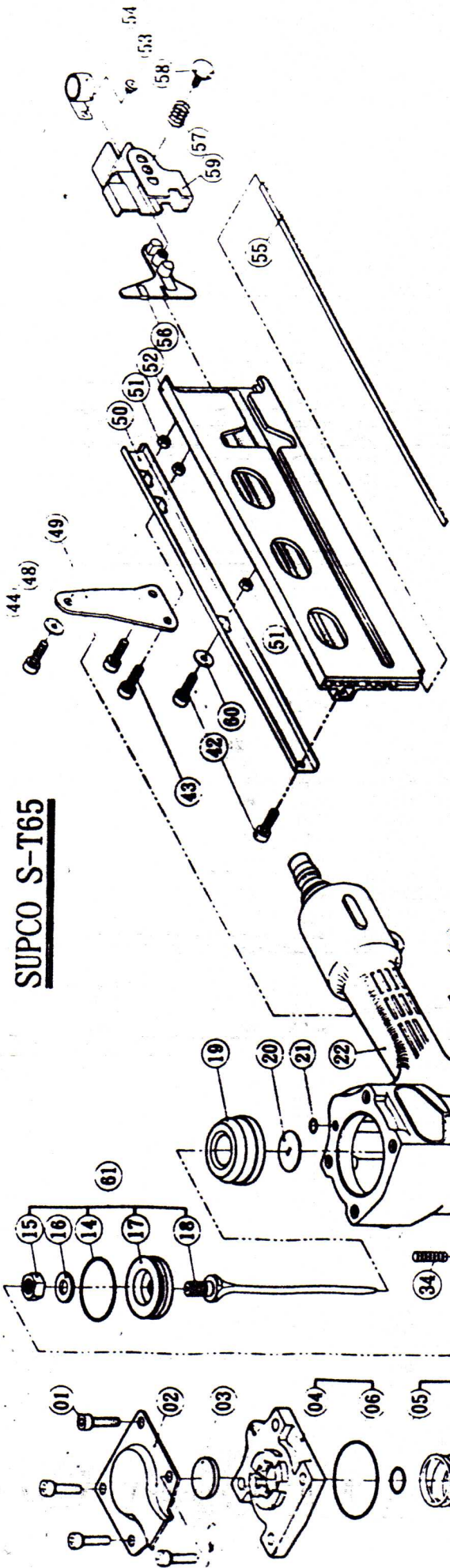


SUPCO S-T65



01	M6x25	HD. SCREW	OR-01	VALVE HOUSING O-RING	45	SM-22	E. RING
02	EC-02	EXHAUST COVER	VS-04	VALVE HOUSING	46	SM-23	E. RING
03	ES-02	EXHAUST SEAL	OR-21	O-RING	47	FP-21	FRONT PLATE
04	CA-02	BODY CAP	SP-02	SPRING	48	WS-01	WASHER
05	OR-14	POPPET O-RING	OR-25	O-RING	49	HR-24	HANGER
06	OR-15	O-RING	VS-06	TRIGGER STEM	50	FC-21	FEEDER COVER
07	SP-08	SPRING	VS-07	TRIGGER VALVE HOUSING	51	M5	NUT
08	OR-16	POPPET O-RING	SM-11	TRIGGER PIN	52	MZ-34	MAGAZINE
09	PV-03	POPPET VALVE	SM-10	SPRING WASHER	53	SM-29	SPRING RETAINER
10	OR-17	PISTON STOP O-RING	TC-05	TRIGGER	54	SP-03	PLATE SPRING
11	OR-32	CYLINDER O-RING	TC-06	SECONDARY TRIGGER	55	FC-22	STEEL BAR
12	OR-55	CYLINDER O-RING	SP-30	SPRING	56	FD-24	FEEDER
13	CY-12	CYLINDER	SM-28	CONTACT PIN	57	SP-29	SPRING
14	OR-34	PISTON O-RING	E-2.5	E. WASHER	58	FM-02	FEEDER SCREW
15	M8	NUT	ST-13	CONTACT ARM	59	FD-25	FEEDER UNIT
16	WS-20	WASHER	DL-02	LATCH	60	WS-01	WASHER
17	PS-09	PISTON	FP-29	FRONT PLATE <A>	61	PS-40	PISTON & DRIVER ASSEMBLY
18	DB-20	DRIVER BLADE	M5x25	HD. SCREW	62	OR-22	O-RING
19	BP-05	BUMPER	P-14	WEAR PLATE	63	OR-23	O-RING
20	SW-03	SEAL WASHER	M5x10	HD. SCREW	64	VS-05	PILOT VALVE
21	OR-35	PIPE O-RING	M5x12	HD. SCREW	65	OR-24	O-RING
22	BD-10	BODY	M5x16	HD. SCREW	66	SP-09	SPRING

